



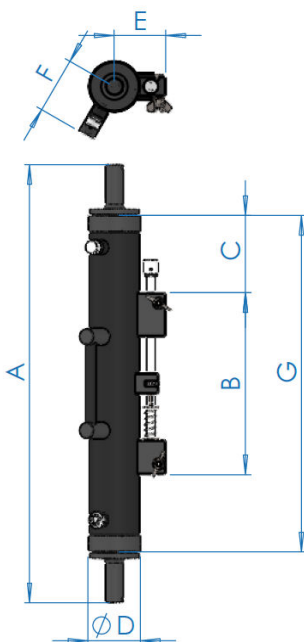
Design

- The attachment system allows fastening the bottle to **lines up to 6mm thick**.
- The **side handle** makes it easy to carry and transport.
- All bottles include a **high-quality tap** and an **air screw** made of acetal.
- The bottle **loading process** is explained on a vinyl panel.

Materials

- Made of **PVC**.
- Includes plastic elements in **acetal** and **polyamide**.
- Includes AISI 316 **stainless steel** metal elements.
- Latex bands.
- NBR O-rings.

Dimensions



Dimensions	Capacity (L)					
	1.7	2.5	5	8	10	12
Empty weight (kg)	2.6	3.1	4.3	5	5.7	6.4
A	605	795	690	880	1020	1170
B	330	330	330	330	330	330
C	45	140	86	86	86	86
D	94	94	140	140	140	140
E	93	93	120	120	120	120
F	101	101	117	117	117	117
G	420	610	505	696	836	986

All units are displayed in mm.
Tolerance ± 3 mm.