



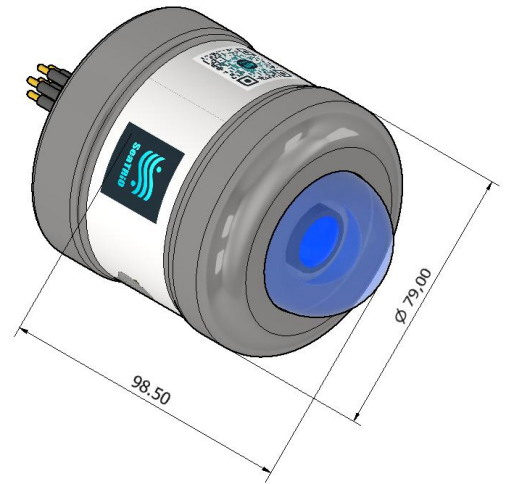
TRiOCam-IP180

Panoramic Underwater Ethernet Camera

The SeaTRiO TRiOCam-IP180 is a compact, high-resolution underwater camera designed for ultimate versatility across ROV deployments, diver operations, and fixed installations. Featuring an ultra-wide-angle lens with a full 180-degree field of view, the TRiOCam-IP180 captures an entire hemispherical image in every frame. This allows users to see everything in front, above, below, and to the sides—all without any moving parts. With its easy-to-use topside software, users can smoothly scan around the live or recorded image, effectively turning the system into a solid-state pan-and-tilt solution, without the mechanical complexity or potential failure points of traditional PT units.

Thanks to its high-resolution sensor, the TRiOCam-IP180 delivers exceptional image clarity, ensuring fine details are preserved across the entire wide-angle view. Even better, the camera records the full 180-degree field continuously, meaning users can revisit footage later and digitally pan through areas of interest that may have been missed in real time. Compact, lightweight, and powered via a 10/100 Ethernet connection, the TRiOCam-IP180 is simple to integrate into any underwater system. It's an ideal tool for professionals who need comprehensive situational awareness in a robust, reliable, and intuitive package.

Angle of view	180°
Power	12-30VDC @ 5W
Operating temperature	-5° to +45° C
Transmission	H.264, H265, ONVIF, RTSP
Resolution	12Mp
Best Case Latency	450ms
Light sensitivity	0.01 Lux
Connector	MCBH6M, others on request



Model	TRiOCAM-IP180-4000	TRiOCAM-IP180-6000
Depth rating	4000m	6000m
Length	98.5	98.5
Diameter	79	79
Weight in Air	750g	1150g
Weight in Water	300g	700g
Material	Anodised Aluminium	Titanium