



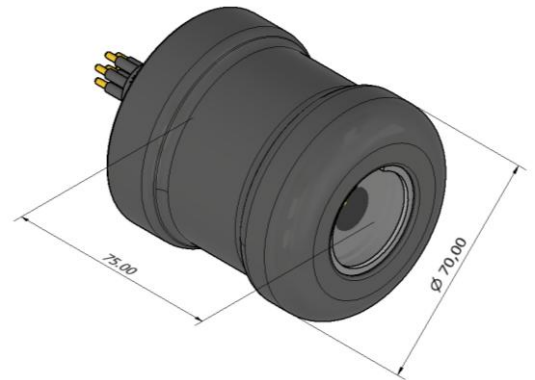
TRIOCam-NDAA

**Fixed focus HD
Ethernet Underwater camera**

The SeaTRiO NDAA-compliant Underwater Camera is a high-definition IP camera designed for a wide range of underwater applications, from ROV operations to marine research and industrial inspections. Built to meet National Defence Authorization Act (NDAA) compliance, this camera ensures secure, reliable performance with no restricted components, making it an ideal choice for government, defence, and commercial projects that require strict adherence to security regulations. Its scratch-resistant sapphire lens provides exceptional durability and optical clarity, while the wide field of view captures more of the underwater environment, delivering expansive, high-quality visuals in real time.

Compact and easy to integrate, the SeaTRiO NDAA-compliant camera seamlessly connects to existing systems and comes with an intuitive topside software that enables image capture, recording, and overlay functions for enhanced data visualization. This user-friendly interface allows operators to efficiently monitor, document, and analyse underwater footage with ease. Designed for versatility, the camera delivers crisp, high-definition video, making it ideal for defence, infrastructure inspection, and scientific exploration. With its secure, future-proof design and advanced imaging capabilities, the SeaTRiO NDAA-compliant camera ensures compliance with the highest industry standards while providing exceptional underwater performance.

Lens	2.8mm
Angle of view Horizontal	106° in Air, 77° in water
Angle of view Vertical	56° in Air, 41° in water
Power	12-30VDC @ 300mA
Operating temperature	-5° to 45° C
Transmission	H.264, H265, ONVIF, RTSP
Resolutions	720p; 1080p; 1296p; 1440p
Best Case Latency	300ms
Light sensitivity	0.01Lx
Connector	MCBH6M, others on request



Model	TRIOCam-NDAA500	TRIOCam-NDAA4000
Depth rating	500m	4000m
Length	75mm	75mm
Diameter	70mm	70mm
Weight in Air	350g	440g
Weight in Water	90g	180g
Material	Acetal	Anodised Aluminium