



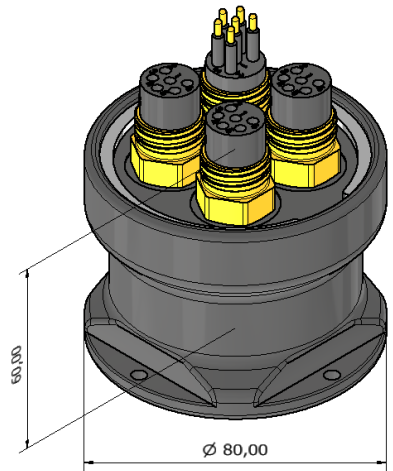
TRiONode -S

Compact 10/100 Ethernet switch

The SeaTRiO TRiONode -S Underwater Ethernet Switch is a compact and reliable solution designed to expand Ethernet connectivity on ROVs and underwater installations. Featuring one input and three outputs, this switch allows users to seamlessly extend their network capabilities, enabling multiple devices to connect and communicate efficiently. With 10/100 Mbps capability, it ensures stable and high-speed data transmission for various underwater applications. Built for versatility, the unit is available in different depth ratings to accommodate a wide range of operational needs. Its rugged, compact design ensures easy integration into existing systems while maintaining optimal performance in demanding marine environments.

Equipped with an unmanaged switch, the SeaTRiO TRiONode-S offers hassle-free plug-and-play functionality, requiring no complex configuration. This makes it an ideal choice for operators looking for a straightforward and effective way to enhance their underwater network infrastructure. Whether deployed on ROVs, underwater monitoring stations, or other subsea installations, this switch provides reliable, high-speed connectivity, ensuring seamless operation in critical underwater applications.

- Capabilities** **1 to 3 ethernet connection**
- Speed** **10/100 Mbps**
Full Duplex
- Power** **Fused power outputs**
- Unit power requirement** **12-30VDC @ mA**
- Operating temperature** **-30° to 55° C**
- Connector** **1 x MCBH6M and 3 x MCBH6F**
others on request



| Model | TRiONode -S500 | TRiONode -S4000 |
|-----------------|----------------|--------------------|
| Depth rating | 500m | 4000m |
| Height | 60 | 60 |
| Base | 80 | 80 |
| Weight in Air | 510g | 690g |
| Weight in Water | 330g | 460g |
| Material | Acetal | Anodised Aluminium |